



**COMMISSION  
THIRTEENTH REGULAR SESSION**  
Denarau Island, Fiji  
5 – 9 December, 2016

---

**STANDARDS, SPECIFICATIONS AND PROCEDURES (SSPs) FOR ELECTRONIC  
REPORTING IN THE WESTERN AND CENTRAL PACIFIC FISHERIES COMMISSION**

---

**Version notes**

Version	WCPFC decision reference	Description of updates	Effective date (Refer para 4)
[1.0]	[WCPFC13 Summary Report, para xx, Attachment xx]	For adoption of ER SSPs, for operational level catch and effort data and observer data	[xx June 2018]

**Objectives for the SSP**

1. These SSPs are a set of data standards that, at a minimum:
  - a. provide a basis for those CCMs who are considering the implementation of electronic reporting technologies in their fisheries;
  - b. provides a mechanism, for those CCMs who have commenced implementation of electronic reporting technologies in their fisheries, to have the option of using these technologies to facilitate their implementation of certain reporting requirements to the Commission;
  - c. provides a basis for the Secretariats preparations to be ready to receive a standardized set of electronically reported fisheries data from CCMs and as appropriate from vessels;
  - d. takes into account current and developing fisheries monitoring and information management systems in use in WCPFC fisheries; and

- e. where practicable, is mindful of existing and proposed data standards and formats in other regional bodies and RFMOs.

### Scope of application

2. These SSPs apply initially to the following reporting requirements under these conservation and management measures or decisions of the WCPFC:
  - a. Paragraph 3 and Annex 1 of *Scientific Data to be Provided to the Commission*;
  - b. *WCPFC ROP Minimum Standard Data Fields*, latest version is as amended by WCPFC12 decisions.
3. Until decided otherwise by the Commission, other forms of electronically reported data, and as appropriate hard copy formats, will continue to be acceptable forms of reporting from CCMs, and as appropriate from their vessels, to meet agreed reporting requirements under the above listed conservation and management measures or decisions of the WCPFC.
4. These SSPs, including any agreed amendments or updates, will take effect **[six months]** **[on 1 June of the year]** following the adoption of the relevant decision by the WCPFC.

### Responsibilities of CCMs

5. It shall be the responsibility of CCMs who choose to use electronic reporting technologies to meet certain WCPFC reporting requirements to:
  - a. submit electronically reported data to the WCPFC Secretariat<sup>1</sup> that includes the minimum required fields and also meets the structure and format specifications of Attachment 1 as appropriate; and
  - b. submit electronically reported data to the WCPFC Secretariat that meet the electronic format specifications of Attachment 2.<sup>2</sup>
6. It shall be the responsibility of CCMs to inform the WCPFC Secretariat of any confidentiality requirements that may need to be taken into account upon receipt of such data.

### Responsibilities of the WCPFC Secretariat

7. It shall be the responsibility of the WCPFC Secretariat to:

---

<sup>1</sup> It is recognized that some CCMs, who are SPC members, submit data described in Attachment 3A and 3B to WCPFC via SPC-OFP

<sup>2</sup> The Commission may consider additional modes of transmission, such as modes involving direct links between the Commission's and CCMs' databases.

- a. develop and maintain the technical and administrative systems that ensure data confidentiality<sup>3</sup> needed to receive electronically reported data from CCMs, which may be submitted and that meet the electronic format specifications of Attachment 2;
- b. acknowledge, upon receipt of electronically reported data from a CCM or as appropriate from a vessel, receipt of the data and indicate to the CCM and as appropriate to the vessel, in a timely manner whether the data meet the minimum data requirements and, if applicable, whether they meet the electronic formatting specifications of Attachment 2;
- c. monitor and report annually to the TCC, and as appropriate the SC, on the performance of these electronic reporting standards and their application and, as necessary, make recommendations for improvements or modifications;
- d. recommend continual improvements to these SSPs, including, where appropriate, standards and codes that are consistent with those used in other international fora, such as the FAO and UN/CEFACT<sup>4</sup>; and
- e. based on relevant decisions of the Commission, incorporate the necessary updates into a proposed revision of the SSPs, notify CCMs of the updates to the SSPs and invite comment before they come into effect; and
- f. ensure the electronic data standards are publically available and is suitably version controlled.

---

---

<sup>3</sup> In accordance with applicable data confidentiality rules, including Rules and Procedures for the Protection, Access to, and Dissemination of Data Compiled by the Commission (2007 and 2009)

<sup>4</sup> UN/CEFACT is currently establishing an international fisheries data exchange system for fisheries (FLUX) which is planned to replace the North Atlantic Format (NAF). UN/CEFACT FLUX may be used once all WCPFC fields are available in the UN/CEFACT library. <http://www.unece.org/info/media/presscurrent-press-h/trade/2016/uncefact-adopts-the-flux-standard-for-sustainable-fisheries-management/doc.html>

**Attachment 1. Electronic data standard to be used for Paragraph 3 and Annex 1 of Scientific Data to be Provided to the Commission**

{REFER TO WCPFC13-2016-28 Annex A- Att 1\_rev1 ER Data standards - Logsheet (v01-12-2016)}

Provisional

# Western and Central Pacific Fisheries Commission (WCPFC)

## E-REPORTING STANDARD DATA FIELDS

### OPERATIONAL LOGSHEET DATA

5<sup>th</sup> December 2016

<b>CURRENT VERSION:</b>	2.70
<b>DATE:</b>	5 <sup>th</sup> December 2016
<b>STATUS:</b>	Adopted by WCPFC13

Version Number	Date Released	Date and process approved	Brief Description
2.70	5 <sup>th</sup> December 2016	Adopted by WCPFC13	Minor changes to field descriptions and reordering of fields based on discussion with Japan on 5 <sup>th</sup> December 2016.
2.60	1 <sup>st</sup> December 2016	...	<p>Changes based on comments provided by Japan on 28<sup>th</sup> November 2016.</p> <p>Changed the column title "Validation Instructions" to "Notes" throughout, as suggested.</p> <p>Accepted all requested changes except the following:</p> <ul style="list-style-type: none"> <li>– Distinction made between the requirement for DATE only (WCPFC required field) and the DATE/TIME (not a WCPFC requirement), for departure date, unloading date and return-to-port dates. For both PS_TRIP and LL_TRIP</li> <li>– Removed the requirement for a "Carrier Vessel Id" under PS Unloading data</li> <li>– Suggested text in LL_TRIP for "PORT/PLACE OF DEPARTURE" and "PORT/PLACE OF UNLOADING" accepted.</li> <li>– Change to text in APPENDIX 2 accepted.</li> <li>– In APPENDIX 8, new text clarifies that "<u>These codes are not WCPFC required fields.</u>"</li> <li>– Accept that catch in weight under LL_CATCH_DATA is not a WCPFC required field.</li> <li>– For both purse seine and longline standards, updated to reflect that SET START TIME (and SET END TIME for purse seine) are a required WCPFC fields but that SET START DATE/TIME is not a WCPFC required field but must be included for other standards. This creates some redundancy which may need to be explained in more detail.</li> </ul>
2.50	21 <sup>st</sup> November 2016	...	<p><u>Released to Japan and Chinese Taipei on 21<sup>st</sup> November 2016 in response to their comments provided prior to the 21<sup>st</sup> October deadline.</u></p> <p>Changes based on reviews and suggestions from several CCMs (mainly Japan and Chinese Taipei) and minor corrections, including:</p> <ul style="list-style-type: none"> <li>– Purse seine reason discard code : exchanged '4' and '5' (APPENDIX A8)</li> <li>– APPENDIX A5 – changed titles to be consistent with covering activity codes across all gear types (and not just purse seine)</li> <li>– Provide the correct XML tag for Purse seine discard field</li> <li>– Remove redundant &lt;lath&gt; and &lt;lonh&gt; from both purse seine and longline positional data fields.</li> </ul> <p>The substantive changes suggested by several CCMs include:</p> <ul style="list-style-type: none"> <li>– Reference to WCPFC two-letter COUNTRY codes (web page yet to be developed)</li> <li>– Reference to WCPFC five-letter LOCATION codes (web page yet to be developed)</li> <li>– Clarified the benefits of using the Vessel identifier ("VID") only instead of including all vessel attributes which would be inefficient (see APPENDIX 4)</li> </ul>

**WCPFC13 draft Summary Report Attachment T\_ Att 1**

<i>Version Number</i>	<i>Date Released</i>	<i>Date and process approved</i>	<i>Brief Description</i>
			<ul style="list-style-type: none"> <li>– Clarified that the fields that are <u>not</u> WCPFC minimum standard required data fields are classified in the WCPFC Field column with 'N'.</li> <li>– In general, modify the description of data fields to be consistent with the descriptions in the <a href="#">WCPFC Scientific Data to be provided to the Commission</a>.</li> <li>– Includes a contingency if the WCPFC LOCATION code for a port is not available.</li> <li>– Aligned Date/Time requirements to WCPFC standards where relevant.</li> </ul>
2.00 (Draft)	July 2015	July 2015 WCPFC ERandEM meeting (Nadi, Fiji)	<i>First version draft accepted by the meeting</i>

Provisional

## Contents

INTRODUCTION .....	4
1.PURSE SEINE LOGBOOK E-REPORTING STANDARDS .....	5
1.1 DATA MODEL DIAGRAM.....	5
1.2 PURSE SEINE TRIP-LEVEL DATA .....	6
1.3 LICENSE/PERMIT DATA.....	8
1.4 PS UNLOADING DATA.....	9
1.5 PS ACTIVITY DATA .....	11
1.6 PS SET LEVEL DATA.....	12
1.7 PS CATCH DATA.....	13
1.8 PS DISCARD DATA.....	14
1.9 PS WELL TRANSFER DATA.....	15
2.LONGLINE LOGBOOK E-REPORTING STANDARDS .....	16
2.1 DATA MODEL DIAGRAM.....	16
2.2 LONGLINE TRIP-LEVEL DATA .....	17
2.3 LICENSE/PERMIT DATA.....	19
2.4 LL ACTIVITY/SET DATA.....	20
2.5 LL CATCH DATA .....	21
APPENDICES.....	22
APPENDIX A1 – DATE/TIME FORMAT .....	22
APPENDIX A2 – POSITION/COORDINATE FORMAT .....	22
APPENDIX A3 – LOCATION CODES .....	22
APPENDIX A4 – VESSEL IDENTIFICATION .....	23
APPENDIX A5 – ACTIVITY CODES .....	24
APPENDIX A6 – PURSE SEINE TUNA SCHOOL ASSOCIATION CODES.....	24
APPENDIX A7 – SPECIES CODES .....	24
APPENDIX A8 – PURSE SEINE REASON FOR DISCARD .....	25

## INTRODUCTION

These tables set out the proposed standards for the provision of operational logsheet data fields collected in the WCPFC tropical purse seine fishery and the longline fisheries through E-Reporting. These tables provide the minimum requirements for data entities, data formats and data validation to be established for data submitted to the national and regional fisheries authorities from E-Reporting systems. The data fields contained herein are based on information collected under the current regional standard data collection forms. This document acknowledges that national fisheries authorities require data (e.g. licence/permit numbers and for anticipated Catch Documentation System – CDS – requirements) that are not mandatory WCPFC minimum standard scientific data fields, so a column in these tables identifies whether the data field is a mandatory WCPFC data field<sup>1</sup> or not.

These E-Reporting data field standards are consistent with, and should be considered in conjunction with more detailed instructions<sup>2</sup> on how to collect LOGBOOK data used by fleets active in the WCPFC area.

These tables are intended for, *inter alia*, E-Reporting service providers who have been contracted to provide electronic systems to record LOGBOOK information on-board purse seine vessels.

These tables may also be used to provide data that were not collected through E-Reporting.

---

<sup>1</sup> The mandatory WCPFC data fields for operational LOGBOOK data are found in the “Scientific Data to be provided to the Commission - Attachment K, Annex 1. Standards for the Provision of Operational Level Catch and Effort Data” <http://www.wcpfc.int/system/files/Scientific%20Data%20to%20be%20Provided%20to%20the%20Commission%20-%20decision%20made%20by%20WCPFC10%20%28clean%29.pdf>

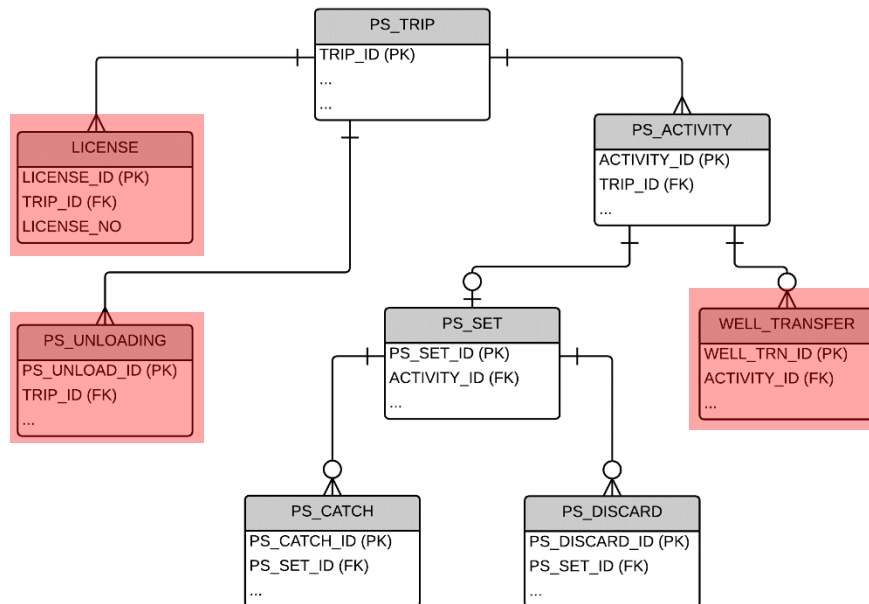
<sup>2</sup> In addition to the WCPFC LOGBOOK data fields requirements, instructions for LOGBOOK data collection in the WCPFC Area are available with the regional standard observer data collection forms at <http://www.spc.int/oceanfish/en/data-collection/241-data-collection-forms>.



## 1. PURSE SEINE LOGBOOK E-REPORTING STANDARDS

### 1.1 DATA MODEL DIAGRAM

The following basic data model diagram outlines the structure of the entities and their relationships for purse seine operational logsheet data collected by E-Reporting systems and submitted to national and regional fisheries authorities. The tables that follow provide more information on the mechanisms of the links (relationships) between the entities. The red-shaded entities are not included in the WCPFC minimum required scientific data fields.



## 1.2 PURSE SEINE TRIP-LEVEL DATA

PS_TRIP						
"The start of a trip is defined to occur when a vessel (a) leaves port after unloading part or all of the catch to transit to a fishing area or (b) recommences fishing operations or transits to a fishing area after transshipping part or all of the catch at sea (when this occurs in accordance with the terms and conditions of article 4 of Annex III of the Convention, subject to specific exemptions as per article 29 of the Convention)." See Section 1.2 of Attachment K, Annex 1. in the <a href="#">Scientific Data to be provided to the Commission</a>						
FIELD	Data Collection Instructions	Field format notes	Notes	NAF CODE	XML TAG	WCPFC FIELD
TRIP IDENTIFIER	Internally generated. Can be NATURAL KEY or unique integer. NATURAL KEY would be VESSEL IDENTIFIER + DEPARTURE DATE				<TRIP_ID>	
VESSEL IDENTIFIER	PROVIDE the WCPFC VID for the VESSEL undertaking this trip.	<a href="#">REFER TO APPENDIX A4</a>	Using a vessel identifier field ("VID") removes the redundancy of including all vessel attributes with each trip record and ensures standardisation and consistency through referencing the main Vessel Registry database.		<VID>	Y
COUNTRY OF CHARTER	PROVIDE the Country responsible for chartering the vessel, where relevant.  This only applies if the vessel has been chartered according to the requirements under WCPFC CMM 2012-05 - chartering notifications.	CHAR(2)  WCPFC alpha-2 two-letter country code (refer to <a href="#">WCPFC codes web page</a> )  UPPER CASE	WCPFC alpha-2 two-letter country code (refer to WCPFC codes web page)  This field must be completed if it has been listed as a chartered vessel on the WCPFC web site according to the requirements under WCPFC CMM 2012-05 - chartering notifications.	CS	<CHARTER>	N
AGENT FOR UNLOADING	PROVIDE the name of the Agent for the Unloading	CHAR(50)	Where possible, link this field to a reference table of authorised Agents for unloading. (referential integrity)	AN	<AGENT>	N
TRIP NUMBER	PROVIDE the trip number undertaken by this vessel for the year. Trip number is sequential, starting at 1 for first trip of the year for each vessel.	INTEGER(2)		TN	<TRIPNO>	N
PORT/PLACE OF DEPARTURE	PROVIDE the Port of Departure.	<a href="#">REFER TO APPENDIX A3</a>	Must be valid WCPFC 5-letter LOCATION Code. In the rare case that the port is not in the WCPFC LOCATION codes, then the actual port name can be included and a WCPFC LOCATION code will be generated.  If the start of a trip coincides with recommencing fishing	PE	<PORTDEPART>	Y

WCPFC13 draft Summary Report Attachment T\_ Att 1

**PS\_TRIP**

“The start of a trip is defined to occur when a vessel (a) leaves port after unloading part or all of the catch to transit to a fishing area or (b) recommences fishing operations or transits to a fishing area after transshipping part or all of the catch at sea (when this occurs in accordance with the terms and conditions of article 4 of Annex III of the Convention, subject to specific exemptions as per article 29 of the Convention).” See Section 1.2 of Attachment K, Annex 1. in the [Scientific Data to be provided to the Commission](#)

FIELD	Data Collection Instructions	Field format notes	Notes	NAF CODE	XML TAG	WCPFC FIELD
			operations or transiting to a fishing area after transshipping part or all of the catch at sea then "ATSEA" code shall be reported in lieu of the port of departure.			
PORT/PLACE OF UNLOADING	PROVIDE the Port or Place of Return for Unloading.	<a href="#">REFER TO APPENDIX A3</a>	Must be valid WCPFC 5-letter LOCATION Code. In the rare case that the port is not in the WCPFC LOCATION codes, then the actual port name can be included and a WCPFC LOCATION code will be generated.  If the end of a trip coincides with transshipping part or all of the catch at sea, then "ATSEA" code shall be reported in lieu of the port of unloading.	PO	<PORTUNLOAD>	Y
DATE OF DEPARTURE	PROVIDE DATE of departure for this trip	<a href="#">REFER TO APPENDIX A1</a>	ISO 8601 - Date only format  The chronology of Departure date with respect to Date of arrival in port and the Days at sea must be valid.	SD	<DATEDEPART>	Y
DATE and TIME OF DEPARTURE	PROVIDE Date and TIME of departure for this trip	<a href="#">REFER TO APPENDIX A1</a>	ISO 8601 - Date and times format  The chronology of Departure date with respect to Date of arrival in port and the Days at sea must be valid.	ST	<DATETIMEDEPART>	N
DATE OF UNLOADING	PROVIDE DATE of unloading	<a href="#">REFER TO APPENDIX A1</a>	ISO 8601 - Dates and times format  The chronology of Arrival date with respect to Date of Departure and the Days at sea must be valid.	ED	<DATEUNLOAD>	Y
DATE AND TIME OF UNLOADING	PROVIDE the Date and TIME of unloading	<a href="#">REFER TO APPENDIX A1</a>	ISO 8601 - Date and times format  The chronology of Departure date with respect to Date of arrival in port and the Days at sea must be valid.	ET	<DATETIMEUNLOAD>	N
FISH ONBOARD - START	PROVIDE the total amount of fish on-board at the time of leaving port on this trip.	NUMBER(4)	WARNING: Should be a realistic amount. For example, having catch >200 t. would be unrealistic?	QS	<AMOUNTSTART>	N
FISH ONBOARD - END	PROVIDE the total amount of fish on-board AFTER ALL UNLOADINGS have been undertaken before the next trip.	NUMBER(4)	WARNING: Should be a realistic amount. For example, having catch >200 t. would be unrealistic?  Having catch greater than what was caught on the trip is not possible.	QE	<AMOUNTAFTER>	N

### 1.3 LICENSE/PERMIT DATA

LICENSE						
PROVIDE each LICENSE/PERMIT that the vessel holds for the period of the trip.						
FIELD	Data Collection Instructions	Field format notes	Notes	NAF CODE	XML TAG	WCPFC FIELD
TRIP IDENTIFIER	Internally generated. Can be NATURAL KEY or unique integer. NATURAL KEY would be VESSEL + DEPARTURE DATE				<TRIP_ID>	
FISHING PERMIT/LICENSE NUMBERS	PROVIDE License/Permit number that the vessel holds for the period of the TRIP.	CHAR(40) UPPER CASE	Where possible, include validation to ensure the Permit format relevant to the agreement (national or sub-regional) complies to the required format.	LC	<LICENSE_NO>	N

Provisional

## 1.4 PS UNLOADING DATA

PS_UNLOADING						
PROVIDE information for TRIP UNLOADING INFORMATION which covers one or several unloading events during or at the end of the trip to (i) carriers, (ii) on-shore processing plants (Canneries) and/or (iii) a net-share event with another catcher vessel						
FIELD	Data Collection Instructions	Field format notes	Notes	NAF CODE	XML TAG	WCPFC FIELD
TRIP IDENTIFIER	Internally generated. Can be NATURAL KEY or unique integer. NATURAL KEY would be VESSEL + DEPARTURE DATE		Link to TRIP information		<TRIP_ID>	
UNLOADING START DATE	PROVIDE the start date for this specific Unloading event	<a href="#">REFER TO APPENDIX A1</a>	ISO 8601 - Date format  GMT/UTC time [YYYY]-[MM]-[DD]Z The chronology of Unload Start date with respect to other dates for the trip and unloading must be valid.	SD	<STARTDATE>	N
UNLOADING END DATE	PROVIDE the end date for this specific Unloading event	<a href="#">REFER TO APPENDIX A1</a>	ISO 8601 - Date format  GMT/UTC time [YYYY]-[MM]-[DD]Z The chronology of Unload End date with respect to other dates for the trip and unloading must be valid.	ED	<ENDDATE>	N
CARRIER VESSEL IDENTIFIER	If relevant, PROVIDE the WCPFC VID for the receiving CARRIER VESSEL for this specific Unloading event.  Note that for NET-SHARE events, this could be another purse seine catcher vessel.	<a href="#">REFER TO APPENDIX A4</a>	Using a unique vessel identifier field ("VID") removes the redundancy of including all vessel attributes with each trip record and ensures standardisation and consistency through referencing the main (WCPFC) Vessel Registry database.		<CARR_VID>	N
CANNERY/ DESTINATION	If relevant, PROVIDE the receiving CANNERY/DESTINATION for this specific Unloading event.	CHAR(40)  UPPER CASE	Where possible, link this field to a reference table of authorised Canneries/Destinations (referential integrity)	FD FN	<DESTINATION>	N
SKJ UNLOADED	PROVIDE the total weight (metric tonnes) of SKIPJACK unloaded in this specific Unloading event	DECIMAL(7,3)	CONTROL TOTAL CHECK: Total amounts for this trip should reconcile checking total trip catch, catch on-board at start, catch on-board at end and all unloading events.	DQ	<UNLOADSKJ>	N
YFT UNLOADED	PROVIDE the total weight (metric tonnes) of YELLOWFIN unloaded in this specific Unloading event	DECIMAL(7,3)		DQ	<UNLOADYFT>	N
BET UNLOADED	PROVIDE the total weight (metric tonnes) of BIGEYE	DECIMAL(7,3)		DQ	<UNLOADBET>	N

PS_UNLOADING						
PROVIDE information for TRIP UNLOADING INFORMATION which covers one or several unloading events during or at the end of the trip to (i) carriers, (ii) on-shore processing plants (Canneries) and/or (iii) a net-share event with another catcher vessel						
FIELD	Data Collection Instructions	Field format notes	Notes	NAF CODE	XML TAG	WCPFC FIELD
	unloaded in this specific Unloading event					
MIXED TUNA UNLOADED	PROVIDE the total weight (metric tonnes) of MIXED TUNA unloaded in this specific Unloading event	DECIMAL(7,3)		DQ	<UNLOADMIX>	N
OTHERS UNLOADED	PROVIDE the total weight (metric tonnes) of OTHERS unloaded in this specific Unloading event	DECIMAL(7,3)		DQ	<UNLOADOTH>	N
REJECTS UNLOADED	PROVIDE the total weight (metric tonnes) of REJECTED TUNA unloaded in this specific Unloading event	DECIMAL(7,3)		RT	<UNLOADREJ>	N

## 1.5 PS ACTIVITY DATA

PS ACTIVITY						
PROVIDE information on the designated activities for each DAY AT SEA						
FIELD	Data Collection Instructions	Field format notes	Notes	NAF CODE	XML TAG	WCPFC FIELD
TRIP IDENTIFIER	Internally generated. Can be NATURAL KEY or unique integer. NATURAL KEY would be VESSEL + DEPARTURE DATE		Link to TRIP information		<TRIP_ID>	
ACTIVITY IDENTIFIER	Internally generated. Can be NATURAL KEY or unique integer. NATURAL KEY would be DATE + START TIME OF ACTIVITY				<ACTIVITY_ID>	
DATE	PROVIDE the DATE for each day that the vessel is at sea.	<a href="#">REFER TO APPENDIX A1</a>	Date <u>may be</u> automatically generated through VMS or other GPS-type devices.	DA	<DATE_EVENT>	Y
START DATE/TIME OF ACTIVITY	PROVIDE the DATE/TIME when the ACTIVITY started	<a href="#">REFER TO APPENDIX A1</a>	Date / Time <u>may be</u> automatically generated through VMS or other GPS-type devices.  This is not a WCPFC required field.	ST	<TIME_EVENT>	N
POSITION LATITUDE	PROVIDE the LATITUDE position for the start of the set. If no sets were made during the DAY, then the WCPFC requirement is to provide the position LATITUDE at noon.	<a href="#">REFER TO APPENDIX A2</a>	Position coordinates <u>may be</u> automatically generated through VMS or other GPS-type devices.  The WCPFC requirement stipulates that the position of start of set should be reported in units of at least minutes of latitude and longitude.	LT	<LAT>	Y
POSITION LONGITUDE	PROVIDE the LONGITUDE position for the start of the set. If no sets were made during the DAY, then the WCPFC requirement is to provide the position LONGITUDE at noon.	<a href="#">REFER TO APPENDIX A2</a>	Some current data collection systems require the position for activities other than a fishing set, but this is not a WCPFC requirement.	LG	<LON>	Y
ACTIVITY	PROVIDE each ACTIVITY of the vessel within the DAY.	<a href="#">REFER TO APPENDIX A5</a>	The current WCPFC requirement is for this item to be reported for each set and for days on which no sets were made (with the activity 'Searching').  Ensure relational integrity for certain values, for example,  "1 - Fishing Set" must link to a SET record and perhaps to other tables  "8 - Non-Set Well Transfer" must link to a WELL_TRANSFER record (this is not a WCPFC requirement)	AT	<ACT_ID>	Y

## 1.6 PS SET LEVEL DATA

PS_SET						
PROVIDE information for each FISHING SET						
FIELD	Data Collection Instructions	Field format notes	Notes	NAF CODE	XML TAG	WCPFC FIELD
TRIP IDENTIFIER	Internally generated. Can be NATURAL KEY or unique integer. NATURAL KEY would be VESSEL + DEPARTURE DATE		Link to TRIP information		<TRIP_ID>	
ACTIVITY IDENTIFIER	Internally generated. Can be NATURAL KEY or unique integer. NATURAL KEY would be DATE + START TIME OF ACTIVITY		Link to ACTIVITY (SET)		<ACTIVITY_ID >	
START TIME OF SET	PROVIDE the start time of the set which is defined at the time the SKIFF is launched.	<a href="#">REFER TO APPENDIX A1</a>	WCPFC required fields. These TIMES should be GMT/UTC.	ST	<SETST_TIME>	Y
END TIME OF SET	PROVIDE the end time of the set which is defined as the time when the "RINGS UP" ON DECK.	<a href="#">REFER TO APPENDIX A1</a>	These TIMES may be automatically generated through VMS or other GPS-type devices	ET	<SETEND_TIME >	Y
START DATE/TIME OF SET	PROVIDE the start date and time of the set which is defined at the time the SKIFF is launched.	<a href="#">REFER TO APPENDIX A1</a>	These fields overlap with the previous two fields but the DATE of set start and end are no WCPFC fields so are covered with these two fields.	ST	<SETSTART>	N
END DATE/TIME OF SET	PROVIDE the end date and time of the set which is defined as the time when the "RINGS UP" ON DECK.	<a href="#">REFER TO APPENDIX A1</a>	The Date and Time of the start and end of set should be GMT/UTC. Date and Time may be automatically generated through VMS or other GPS-type devices  Date must also be provided with time since with the requirement to use UTC/GMT, it is possible for a set to go into the next (UTC/GMT) day.	ET	<SETEND>	N
SCHOOL ASSOCIATION	PROVIDE the School Associated Code	<a href="#">REFER TO APPENDIX A6</a>	The code must be within the valid range as specified by the School Association code list in APPENDIX A6.	SA	<SCHOOL>	Y
SCHOOL ASSOCIATION NOTE	PROVIDE information of the SCHOOL ASSOCIATION in cases where the school association is not covered in the list of School association codes 1. To 7.	VARCHAR(30)	Used only when the SCHOOL ASSOCIATION = 8	SA	<SCH_NOTE>	Y



## 1.7 PS CATCH DATA

PS_CATCH						
PROVIDE information on each species catch RETAINED from a SET						
FIELD	Data Collection Instructions	Field format notes	Notes	NAF CODE	XML TAG	WCPFC FIELD
TRIP IDENTIFIER	Internally generated. Can be NATURAL KEY or unique integer. NATURAL KEY would be VESSEL + DEPARTURE DATE		Link to TRIP information		<TRIP_ID>	
ACTIVITY IDENTIFIER	Internally generated. Can be NATURAL KEY or unique integer. NATURAL KEY would be DATE + START TIME OF ACTIVITY		Link to ACTIVITY (SET)		<ACTIVITY_ID>	
SET IDENTIFIER	Internally generated. Can be NATURAL KEY or unique integer. NATURAL KEY would be DATE + START TIME OF SET		Link to PS_SET		<PS_SET_ID>	
SPECIES CODE	For each species taken in the set and RETAINED, PROVIDE the SPECIES CODE according to the FAO standard species code list	CHAR(3)	<a href="#">REFER TO APPENDIX 7.</a>	DC	<SP_CODE>	Y
SIZE CATEGORY	For Yellowfin (YFT) and Bigeye tuna (BET) RETAINED catch, distinguish the catch by size category < 9kgs and > 9kgs) otherwise leave blank.	CHAR(2)	LG - Large Fish (>= 9 kgs) SM - Small Fish (< 9 kgs) <Blank> - Not applicable  Validate that it can only be used for YFT and BET.	DC	<SP_SIZE>	N
WELL TO	Well number where the catch is moved to.  Set catch for this species/size category may be moved to more than one well. (Used for Catch Documentation systems).	CHAR(3)	Valid code  DIS - Discard of fish to sea from a well (e.g. due to spoilage) Snn - Starboard well with number = <nn> Pnn - Port well with number = <nn> Cnn - Central well with number = <nn>	TC	<WELL_TO>	N
CATCH WEIGHT	PROVIDE the retained ESTIMATED CATCH WEIGHT (metric tonnes, to 3 decimal places if possible) covering this species/size category combination.	DECIMAL(7,3)	Validate that it is within the acceptable range for this species. (Refer to the SPECIES_RANGE table provided)	DC	<SP_RET_MT>	Y
CATCH NUMBER	PROVIDE the retained CATCH NUMBER covering this species/size category combination. This is only required for non-target species.	INTEGER(6)	Validate that it is within the acceptable range for this species. (Refer to the SPECIES_RANGE table provided)	DC	<SP_RET_NO>	N

## 1.8 PS DISCARD DATA

PS _DISCARD						
PROVIDE information on each species catch DISCARDED from a SET.						
As a WCPFC requirement, note that purse seine vessels fishing in EEZs and on the high seas within the area bounded by 20°N and 20°S are required to retain on board and then land or transship at port all bigeye, skipjack, yellowfin tuna generally (See paragraph 30 of CMM2015-01).						
FIELD	Data Collection Instructions	Field format notes	Notes	NAF CODE	XML TAG	WCPFC FIELD
TRIP IDENTIFIER	Internally generated. Can be NATURAL KEY or unique integer. NATURAL KEY would be VESSEL + DEPARTURE DATE		Link to TRIP information		<TRIP_ID>	
ACTIVITY IDENTIFIER	Internally generated. Can be NATURAL KEY or unique integer. NATURAL KEY would be DATE + START TIME OF ACTIVITY		Link to ACTIVITY (SET)		<ACTIVITY_ID>	
SET IDENTIFIER	Internally generated. Can be NATURAL KEY or unique integer. NATURAL KEY would be DATE + START TIME OF SET		Link to PS_SET		<PS_SET_ID>	
SPECIES CODE	For each species taken in the set and DISCARDED, PROVIDE the SPECIES CODE according to the FAO standard species code list	CHAR(3)	<a href="#">REFER TO APPENDIX 7.</a>	DI	<SP_CODE>	Y
DISCARDED WEIGHT	PROVIDE the DISCARDED/RELEASED ESTIMATED WEIGHT (metric tonnes, to 3 decimal places if possible) covering this species.	DECIMAL(7,3)	Validate that it is within the acceptable range for this species. (Refer to the SPECIES_RANGE table provided)	DI	<SP_DISC_MT>	N
DISCARDED NUMBER	PROVIDE the DISCARDED/RELEASED NUMBER, where appropriate.	INTEGER(6)	Validate that it is within the acceptable range for this species. (Refer to the SPECIES_RANGE table provided)	DI	<SP_DISC_NO>	N
REASON FOR DISCARD	PROVIDE the reason for the DISCARD.	INTEGER(1)	<a href="#">REFER TO APPENDIX 8.</a>	DI	<DISC_REA_ID>	N
REASON FOR DISCARD NOTE	PROVIDE information of the REASON FOR DISCARD in cases where the code is not covered in the list of Reason codes 1. To 4.	VARCHAR(30)	Used only when the REASON FOR DISCARD = 5	DI	<DISC_NOTE>	N

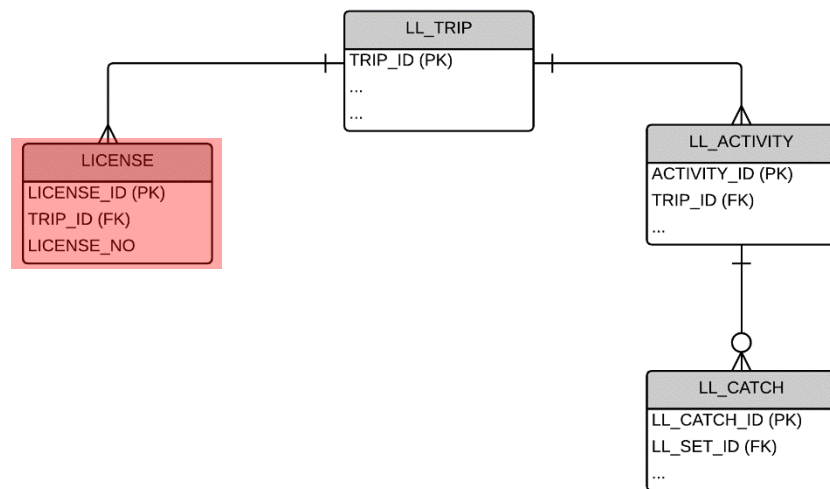
## 1.9 PS WELL TRANSFER DATA

WELL TRANSFER						
PROVIDE information on each WELL TRANSFER or NET-to-WELL TRANSFER when the relevant ACTIVITIES are recorded						
FIELD	Data Collection Instructions	Field format notes	Notes	NAF CODE	XML TAG	WCPFC FIELD
TRIP IDENTIFIER	Internally generated. Can be NATURAL KEY or unique integer. NATURAL KEY would be VESSEL + DEPARTURE DATE		Link to TRIP information		<TRIP_ID>	
ACTIVITY IDENTIFIER	Internally generated. Can be NATURAL KEY or unique integer. NATURAL KEY would be DATE + START TIME OF ACTIVITY		Link to ACTIVITY (SET or WELL TRANSFER)		<ACTIVITY_ID>	
WELL FROM	Well number or the NET (in the case of a set) where the catch is coming from.	CHAR(3)	Valid code  Snn - Starboard well with number = <nn> Pnn - Port well with number = <nn> Cnn - Central well with number = <nn>	TC	<WELL_FROM>	N
WELL TO	Well number where the catch is moved to. Note that this includes DISCARDS of fish from the well.	CHAR(3)	Valid code  DIS - Discard of fish to sea from a well (e.g. due to spoilage) Snn - Starboard well with number = <nn> Pnn - Port well with number = <nn> Cnn - Central well with number = <nn>	TC	<WELL_TO>	N
SPECIES CODE	For each species catch transferred, PROVIDE the SPECIES CODE according to the FAO standard species code list	CHAR(3) UPPER CASE	<a href="#">REFER TO APPENDIX 7.</a>	TC	<SP_CODE_WELL>	N
SIZE CATEGORY	For Yellowfin (YFT) and Bigeye tuna (BET) transferred catch, distinguish the catch by size category (< 9kgs and > 9kgs) otherwise leave blank.	CHAR(2)	LG - Large Fish (>= 9 kgs) SM - Small Fish (< 9 kgs) <Blank> - Not applicable  Validate that it can only be used for YFT and BET.	DC	<SP_WELL_SIZE>	N
WEIGHT TRANSFERRED	PROVIDE the WEIGHT (metric tonnes, to 3 decimal places if possible) of the species transferred.	DECIMAL(6,3)		TC	<SP_WELL_MT>	N

## 2. LONGLINE LOGBOOK E-REPORTING STANDARDS

### 2.1 DATA MODEL DIAGRAM

The following basic data model diagram outlines the structure of the entities and their relationships for longline operational logsheet data collected by E-Reporting systems and submitted to national and regional fisheries authorities. The tables that follow provide more information on the mechanisms of the links (relationships) between the entities. The red-shaded entities are not included in the WCPFC minimum required scientific data fields.



## 2.2 LONGLINE TRIP-LEVEL DATA

<b>LL_TRIP</b>						
"The start of a trip is defined to occur when a vessel (a) leaves port after unloading part or all of the catch to transit to a fishing area or (b) recommences fishing operations or transits to a fishing area after transshipping part or all of the catch at sea (when this occurs in accordance with the terms and conditions of article 4 of Annex III of the Convention, subject to specific exemptions as per article 29 of the Convention)." See Section 1.2 of Attachment K, Annex 1. in the <a href="#">Scientific Data to be provided to the Commission</a>						
FIELD	Data Collection Instructions	Field format notes	Notes	NAF CODE	XML TAG	WCPFC FIELD
TRIP IDENTIFIER	Internally generated. Can be NATURAL KEY or unique integer. NATURAL KEY would be VESSEL IDENTIFIER + DEPARTURE DATE				<TRIP_ID>	
VESSEL IDENTIFIER	PROVIDE the WCPFC VID for the VESSEL undertaking this trip.	<a href="#">REFER TO APPENDIX A4</a>	Using a vessel identifier field ("VID") removes the redundancy of including all vessel attributes with each trip record and ensures standardisation and consistency through referencing the main Vessel Registry database.		<VID>	Y
COUNTRY OF CHARTER	PROVIDE the Country responsible for chartering the vessel, where relevant.  This only applies if the vessel has been chartered according to the requirements under WCPFC CMM 2012-05 - chartering notifications.	CHAR(2)  WCPFC alpha-2 two-letter country code (refer to <a href="#">WCPFC codes web page</a> )  UPPER CASE	WCPFC alpha-2 two-letter country code (refer to WCPFC codes web page)  This field must be completed if it has been listed as a chartered vessel on the WCPFC web site according to the requirements under WCPFC CMM 2012-05 - chartering notifications.	CS	<CHARTER>	N
AGENT FOR UNLOADING	PROVIDE the name of the Agent for the Unloading	CHAR(50)	Where possible, link this field to a reference table of authorised Agents for unloading. (referential integrity)	AN	<AGENT>	N
TRIP NUMBER	PROVIDE the trip number undertaken by this vessel for the year. Trip number is sequential, starting at 1 for first trip of the year for each vessel.	INTEGER(4)		TN	<TRIPNO>	N
PRIMARY TARGET SPECIES	PROVIDE the Primary Target species for this trip	CHAR(3)	<a href="#">REFER TO APPENDIX A7</a>	DC	<SP_CODE_TAR GET>	N
PORT/PLACE OF DEPARTURE	PROVIDE the Port of Departure	CHAR(5) UPPERCASE	<a href="#">REFER TO APPENDIX A3</a> WCPFC LOCATION CODE. In the rare case that the port is not in the WCPFC LOCATION codes, then the actual port name can be included and a WCPFC LOCATION code will be generated.  If the start of a trip coincides with recommencing fishing operations or transiting to a fishing area after transshipping part or all of the catch at sea then "ATSEA" code shall be	PE	<PORTDEPART>	Y

## LL TRIP

“The start of a trip is defined to occur when a vessel (a) leaves port after unloading part or all of the catch to transit to a fishing area or (b) recommences fishing operations or transits to a fishing area after transshipping part or all of the catch at sea (when this occurs in accordance with the terms and conditions of article 4 of Annex III of the Convention, subject to specific exemptions as per article 29 of the Convention).” See Section 1.2 of Attachment K, Annex 1. in the [Scientific Data to be provided to the Commission](#)

FIELD	Data Collection Instructions	Field format notes	Notes	NAF CODE	XML TAG	WCPFC FIELD
			reported in lieu of the port of departure.			
PORT/PLACE OF UNLOADING	PROVIDE the Port of Return for Unloading or indicate TRANSHIPMENT AT SEA	CHAR(5) UPPERCASE	<a href="#">REFER TO APPENDIX A3</a> WCPFC LOCATION CODE. In the rare case that the port is not in the WCPFC LOCATION codes, then the actual port name can be included and a WCPFC LOCATION code will be generated.  If the end of a trip coincides with transshipping part or all of the catch at sea, then "ATSEA" code shall be reported in lieu of the port of unloading.	PO	<PORTUNLOAD>	Y
DATE OF DEPARTURE	PROVIDE DATE and TIME of departure for this trip	<a href="#">REFER TO APPENDIX A1</a>	ISO 8601 - Date only format  If the start of a trip coincides with recommencing fishing operations or transiting to a fishing area after transshipping part or all of the catch at sea then date for the transshipment at sea shall be indicated.	SD	<DATEDEPART>	Y
DATE and TIME OF DEPARTURE	PROVIDE TIME of departure for this trip	<a href="#">REFER TO APPENDIX A1</a>	ISO 8601 - Date and times format  The chronology of Departure date with respect to Date of arrival in port and the Days at sea must be valid.	ST	<DATETIMEDEPART>	N
DATE OF UNLOADING	PROVIDE DATE of unloading or indicate DATE for the TRANSHIPMENT AT SEA	<a href="#">REFER TO APPENDIX A1</a>	ISO 8601 - Date only format  If the end of a trip coincides with transshipping part or all of the catch at sea, then date for the transshipment at sea shall be indicated.	ED	<DATEUNLOAD>	Y
DATE and TIME OF UNLOADING	PROVIDE DATE and TIME of unloading or indicate TIME for the TRANSHIPMENT AT SEA	<a href="#">REFER TO APPENDIX A1</a>	ISO 8601 - Date and times format  If the end of a trip coincides with transshipping part or all of the catch at sea, then date for the transshipment at sea shall be indicated.  The chronology of Departure date with respect to Date of arrival in port and the Days at sea must be valid.	ET	<DATETIMEUNLOAD>	N

## 2.3 LICENSE/PERMIT DATA

LICENSE						
PROVIDE each LICENSE/PERMIT that the vessel holds for the period of the trip.						
FIELD	Data Collection Instructions	Field format notes	Notes	NAF CODE	XML TAG	WCPFC FIELD
TRIP IDENTIFIER	Internally generated. Can be NATURAL KEY or unique integer. NATURAL KEY would be VESSEL + DEPARTURE DATE				<TRIP_ID>	
FISHING PERMIT/LICENSE NUMBERS	PROVIDE License/Permit number that the vessel holds for the period of the TRIP.	CHAR(40) UPPER CASE	Where possible, include validation to ensure the Permit format relevant to the agreement (national or sub-regional) complies to the required format.	LC	<LICENSE_N 0>	N

## 2.4 LL ACTIVITY/SET DATA

<b>LL ACTIVITY</b>						
PROVIDE the following information on EACH FISHING SET; if there was no fishing set on that day, provide information on the MAIN ACTIVITY FOR THAT DAY AT SEA						
FIELD	Data Collection Instructions	Field format notes	Notes	NAF CODE	XML TAG	WCPFC FIELD
TRIP IDENTIFIER	Internally generated. Can be NATURAL KEY or unique integer. NATURAL KEY would be VESSEL + DEPARTURE DATE		Link to TRIP information		<TRIP_ID>	
ACTIVITY IDENTIFIER	Internally generated. Can be NATURAL KEY or unique integer. NATURAL KEY would be DATE + START TIME OF ACTIVITY				<ACTIVITY_ID>	
ACTIVITY	PROVIDE each ACTIVITY of the vessel within the DAY.	<a href="#">REFER TO APPENDIX A5</a>	The current WCPFC requirement is for this item to be reported for each set and for days on which no sets were made.	AT	<ACT_ID>	Y
DATE/TIME ACTIVITY	Not a WCPFC Requirement.  PROVIDE the NOON DATE/TIME for each day that the vessel is at sea when a set was not made on that day, OR the START DATE/TIME of the SET	<a href="#">REFER TO APPENDIX A1</a>	Date and Time may be automatically generated through VMS or other GPS-type devices.	DA	<ACT_DATETIME>	N
START TIME OF SET	PROVIDE the start of the set.	<a href="#">REFER TO APPENDIX A1</a>	Date and Time may be automatically generated through VMS or other GPS-type devices.	ST	<SETSTART>	Y
POSITION LATITUDE	PROVIDE the LATITUDE position when the set started	<a href="#">REFER TO APPENDIX A2</a>	The WCPFC requirement stipulates that the position of start of set should be reported in units of at least minutes of latitude and longitude.	LT	<LAT>	Y
POSITION LONGITUDE	PROVIDE the LONGITUDE position when the set started	<a href="#">REFER TO APPENDIX A2</a>	If no sets are made on that day, the noon position is to be reported.  Position coordinates may be automatically generated through VMS or other GPS-type devices.	LG	<LON>	Y
NUMBER OF BRANCLINES	PROVIDE the NUMBER OF BRANCLINES (synonymous to HOOKS BETWEEN FLOATS and BRANCLINES between FLOATS) for this set	NUMBER(2)	The "Number of Branchlines" are also commonly referred to as "Hooks between floats" or "Branchlines between FLOATS" for some fleets.  The code must be within the valid range. Only relevant with ACTIVITY = "1 - FISHING SET"	SA	<HK_BTWN_FLT>	Y
NUMBER OF HOOKS	PROVIDE the total number of HOOKS per set	NUMBER(4)	The code must be within the valid range (e.g. < 5,000 hooks).  Only relevant with ACTIVITY = "1 - FISHING SET"	SA	<HOOKS>	Y



## 2.5 LL CATCH DATA

LL_CATCH						
PROVIDE information on each species catch from a SET						
FIELD	Data Collection Instructions	Field format notes	Notes	NAF CODE	XML TAG	WCPFC FIELD
TRIP IDENTIFIER	Internally generated. Can be NATURAL KEY or unique integer. NATURAL KEY would be VESSEL + DEPARTURE DATE		Link to TRIP information		<TRIP_ID>	
ACTIVITY IDENTIFIER	Internally generated. Can be NATURAL KEY or unique integer. NATURAL KEY would be DATE + START TIME OF ACTIVITY		Link to ACTIVITY (SET)		<ACTIVITY_ID>	
SPECIES CODE	For each species taken in the set, PROVIDE the SPECIES CODE according to the FAO standard species code list	CHAR(3) UPPER CASE	<a href="#">REFER TO APPENDIX 8.</a>	DC	<SP_CODE_RET>	Y
CATCH NUMBER	PROVIDE the retained CATCH NUMBER OF FISH covering this species.	INTEGER(6)	Validate that it is within the acceptable range for this species. (Refer to the SPECIES_RANGE table provided)	DC	<SP_RET_NO>	Y
CATCH WEIGHT	PROVIDE the retained CATCH ESTIMATED WEIGHT (metric tonnes to three decimal places) for this species.	DECIMAL(6,3)	Validate that it is within the acceptable range for this species. (Refer to the SPECIES_RANGE table provided)	DC	<SP_RET_MT>	N
DISCARDED / RELEASED NUMBER	PROVIDE the NUMBER of this species DISCARDED or RELEASED.	INTEGER(6)	Validate that it is within the acceptable range for this species. (Refer to the SPECIES_RANGE table provided)	DC	<SP_DISC_NO>	Y

## APPENDICES

### APPENDIX A1 – DATE/TIME FORMAT

The DATE and DATE/TIME formats must adhere to the following standard:  
ISO 8601 - Dates and times format – both local and UTC dates

[YYYY]-[MM]-[DD] Z	for fields designated as UTC date
[YYYY]-[MM]-[DD]	for fields designated as LOCAL date
[YYYY]-[MM]-[DD]T[HH]:[MM]Z	for fields designated as UTC date/time
[YYYY]-[MM]-[DD]T[HH]:[MM]	for fields designated as LOCAL date/time

### APPENDIX A2 – POSITION/COORDINATE FORMAT

Annex 1 of [WCPFC Scientific Data to be provided to the Commission](#) stipulates that the position of start of set should be reported in units of at least minutes of latitude and longitude. The Latitude and Longitude coordinates must adhere to the ISO 6709 – Positions in degrees and minutes (to 3 decimal places where relevant).

LATITUDE	+/- DDMM.MMM
LONGITUDE	+/- DDDMM.MMM

### APPENDIX A3 – LOCATION CODES

The PORT LOCATION Codes must adhere to the list of valid WCPFC 5-letter LOCATION codes [UPPERCASE CHAR(5) ]

In the rare case that the port is not in the WCFPC LOCATION codes, then the actual port name can be included and a WCFPC LOCATION code will be generated.

(Refer to the relevant [WCPFC Codes web page link](#))

## APPENDIX A4 – VESSEL IDENTIFICATION

Using a single vessel identifier field (“VID”) in the LL\_TRIP and PS\_TRIP removes the redundancy of including all vessel attributes with each trip record and ensures standardisation and consistency through the direct referencing to the WCPFC Register of Fishing Vessels (RFV) and other Vessel Registry databases (e.g. the IMO/UVI standards, the FFA Vessel Register and the PNA Vessel Register).

The WCPFC RFV vessel identifier (“VID”) will be used as the vessel identifier except in cases where, for example, it is more convenient to use the unique national vessel identifier (e.g. IRSC) and in these cases, there must be a link between the national vessel identifier and the WCPFC RFV VID established and available.

The attributes for the VESSEL should already be maintained in the WCPFC RFV (and other Vessel Registry databases, where relevant) and so can be obtained through reference in using the “VID”; as such, there is no requirement to include the vessel attributes with the E-Reported logsheet data.

The following table lists the type of information that can be accessed in the WCPFC RFV (and other registers) by using the “VID” as the reference.

FIELD	Data Collection Instructions	Field format notes	Validation rules	XML TAG	WCPFC FIELD
VESSEL NAME	PROVIDE the VESSEL attributes which should be consistent with the attributes stored in the WCPFC and FFA Regional Vessel Registers	CHAR(30) UPPER CASE	Must be consistent with the WCPFC and FFA Vessel Registers	<VESSELNAME>	Y
COUNTRY OF VESSEL REGISTRATION		CHAR(2) WCPFC alpha-2 two-letter country code (refer to <a href="#">WCPFC codes web page</a> ) UPPER CASE	WCPFC alpha-2 two-letter country code (refer to WCPFC codes web page)  Must be consistent with the WCPFC and FFA Vessel Registers  Country of registration is distinct from the chartering nation, where relevant	<COUNTRYREG>	Y
VESSEL REGISTRATION NUMBER		CHAR(20) UPPER CASE	Must be consistent with the WCPFC and FFA Vessel Registers	<REGNO>	Y
FFA VESSEL REGISTER NUMBER		INTEGER(5)	Must be consistent with the FFA Vessel Register	<FFAVID>	N
WCPFC RFV VID		INTEGER(10)	Must be consistent with the WCPFC RFV	<WIN>	Y
UNIVERSAL VESSEL IDENTIFIER (UVI)		INTEGER(10)	Must be consistent with the WCPFC and FFA Vessel Registers	<IMO_UVI>	N
VESSEL INTERNATIONAL CALLSIGN		CHAR(10) UPPER CASE	Must be consistent with the WCPFC and FFA Vessel Registers	<IRCS>	Y

## APPENDIX A5 – ACTIVITY CODES

ACT_ID	Description	PURSE SEINE LOGSHEET	LONGLINE LOGSHEET	PURSE SEINE OBSERVER
1	Set	Y	Y	Y
2	Searching	Y	N	Y
3	Transit	Y	Y	Y
4	No fishing - Breakdown	Y	Y	Y
5	No fishing - Bad weather	Y	Y	Y
6	In port	Y	Y	Y
7	Net cleaning set	Y	N	Y
8	Investigate free school	Y	N	Y
9	Investigate floating object	Y	N	Y
10	Deploy - raft, FAD or payao	Y	N	Y
11	Retrieve - raft, FAD or payao	Y	N	Y
12	No fishing - Drifting at day's end	N	N	Y
13	No fishing - Drifting with floating object	N	N	Y
14	No fishing - Other reason (specify)	N	N	Y
15	Drifting -With fish aggregating lights	N	N	Y
16	Retrieve radio buoy	N	N	Y
17	Deploy radio buoy	N	N	Y
18	Transshipping or bunkering	N	Y	Y
19	Servicing FAD or floating object	Y	N	Y
20	<i>Helicopter takes off to search</i>	<i>N</i>	<i>N</i>	<i>Y</i>
21	<i>Helicopter returned from search</i>	<i>N</i>	<i>N</i>	<i>Y</i>

## APPENDIX A6 – PURSE SEINE TUNA SCHOOL ASSOCIATION CODES

SCHOOL	Description	SCHOOL TYPE CATEGORY
1	Unassociated (free school)	UNASSOCIATED
2	Feeding on Baitfish (free school)	UNASSOCIATED
3	Drifting log, debris or dead animal	ASSOCIATED
4	Drifting raft, FAD or payao	ASSOCIATED
5	Anchored raft, FAD or payao	ASSOCIATED
6	Live whale	ASSOCIATED
7	Live whale shark	ASSOCIATED
8	Other (please specify)	
9	No tuna associated	

## APPENDIX A7 – SPECIES CODES

Refer to the FAO three-letter species codes:

<http://www.fao.org/fishery/collection/asfis/en>

## APPENDIX A8 – PURSE SEINE REASON FOR DISCARD

These codes are not WCPFC required fields.

REASON CODE	Description
1	FISH DAMAGED / UNFIT FOR CONSUMPTION
2	VESSEL FULLY LOADED
3	GEAR FAILURE
4	OTHER REASON (SPECIFY)
5	NON-TARGET SPECIES

Provisional

**Attachment 2. Electronic Formatting Specifications for observer data and logbook data**

These specifications describe the electronic files that CCMs must provide if they choose to use electronic reporting technologies to meet the following WCPFC reporting requirements:

- i. Paragraph 3 and Annex 1 of *Scientific Data to be Provided to the Commission*;
- ii. *WCPFC ROP Minimum Standard Data Fields*, as amended by WCPFC11 decisions.

**A) File type**

The information must be provided in one of the following formats:

- Microsoft Excel file; Comma separated values (CSV) text file;
- Text file (TAB delimited); text file (no delimiters); XML; JSON; NAF

The WCPFC preferred formats for receiving E-Reported operational catch and effort data and observer data are provided below.

Data type / Report	Preferred format for receiving data (in order of preference)		Notes	Status
	E-Reporting	E-Monitoring		
LOGSHEET	1. JSON	[NOT APPLICABLE]		(Pending review and approval)
	2. XML			
	3. NAF			
	4. XLS/CSV			
	5. TXT			
OBSERVER	1. JSON	1. JSON		(Pending review and approval)
	2. XML	2. XML		
	3. XLS/CSV	3. XLS/CSV		
	4. TXT	4. TXT		
	5. NAF	5. NAF		

**B) File name**

The name of the file must be: **XX DDD VID DEPDATE <Table Name>.EXT**

- **XX** – two letter ISO country code (CMM 2014-03 Att 7) of the CCM providing the file
- **DDD** – type of report (LOG – logbook e-data and OBS – Observers e-data)
- **VID** – five digit integer assigned number for a vessels record on the WCPFC Record of Fishing Vessels (RFV) (CMM 2014-03)
- **DEPDATE** – Departure date of the Vessel trip (format YYYYMMDD)
- **<Table\_Name>** – Respective (subset data) table name within this data type (refer to the relevant list of tables in the E-Reporting LOGSHEET and OBSERVER data field standards)
- **EXT** – the standard file extension (according to one of the five available formats)
  - XML

- TXT file – COMMA delimited (CSV)
- TXT file – TAB delimited
- TXT file – No delimiters
- XLS
- JSON
- NAF

**Example : FM\_OBS\_35641\_20140214\_PS\_CATCH.CSV**

Represents a comma-delimited file provided by Federated States of Micronesia for an observer trip on-board the vessel identified with WCPFC RFV id as ‘35641’ with a departure date of 14/03/2014; This file is the subset data for this trip corresponding to the PS\_CATCH Table in the ER Observer data standards document

**C) File content and structure**

Each record in the electronic file represents a single report. Each record must have the structure specified in Attachment 1 or 2, including the same sequence of fields. Sample electronic reporting files with the proper formats are available from the Secretariat.